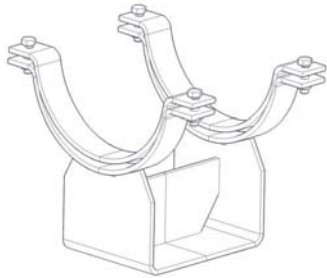
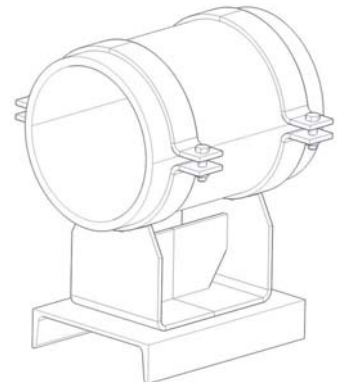




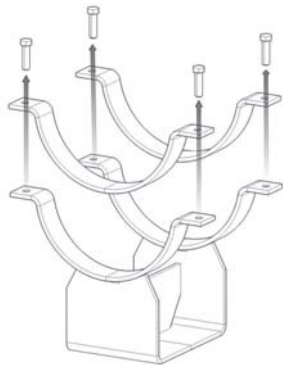
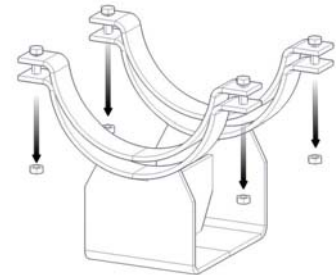
CLAMP BASE ASSEMBLY GUIDE

There are different configurations of base clamps (simple, double...). This guide explains the assembly of a standard one.



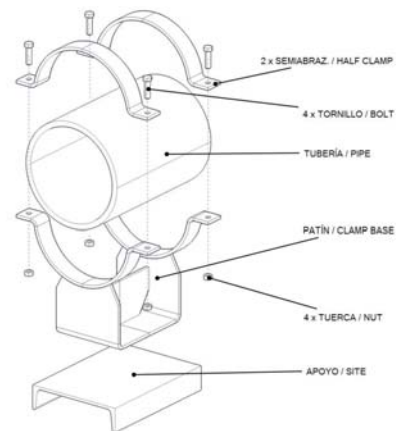
If the pipe size is not large, the clamp base will be sent pre-assembled and with the upper clamps downwards.

Firstly you must dismantle the group. Unscrew the nuts.

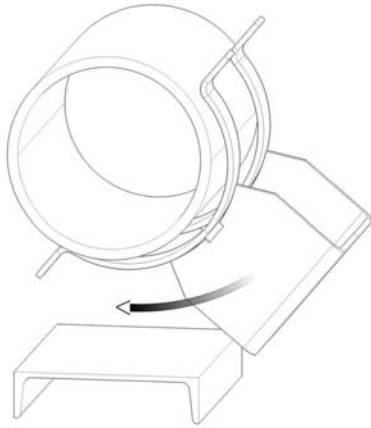


Take the bolts off.

You must find where to place the clamp base following the engineering drawings.

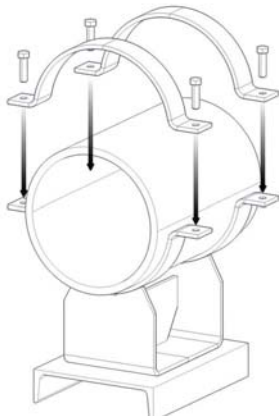
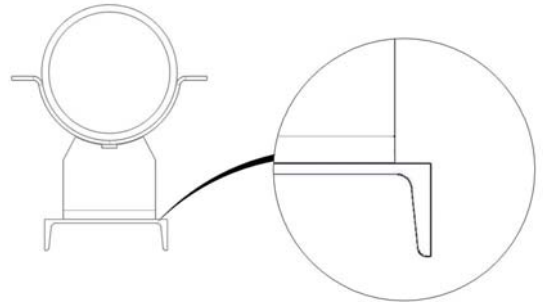


0	09/04/12	INFORMATION	JCC	JMD
REV.	DATE	EDITED FOR	DRAW	CHECK



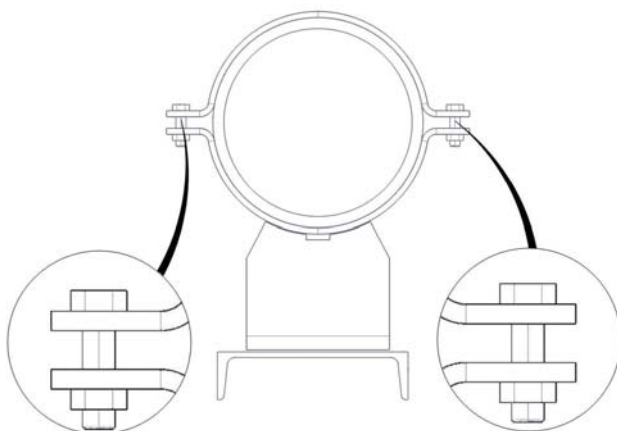
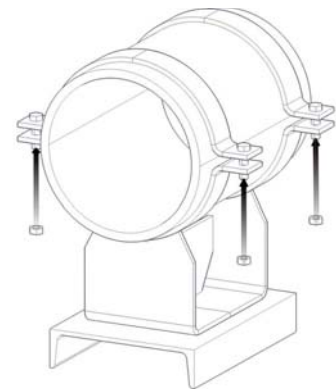
You must place the base clamp under the pipe.

At this moment you must ensure that the whole surface of the base clamp is leaning steadily over the floor.



Assemble the clamps and insert the bolts.

Screw the nuts. Firstly using your hands (the right sequence is in cross shape), and then using the adjustable spanner.



Make sure that the tightening on both sides of the clamps is the same.

0	09/04/12	INFORMATION	JCC	JMD
REV.	DATE	EDITED FOR	DRAW	CHECK